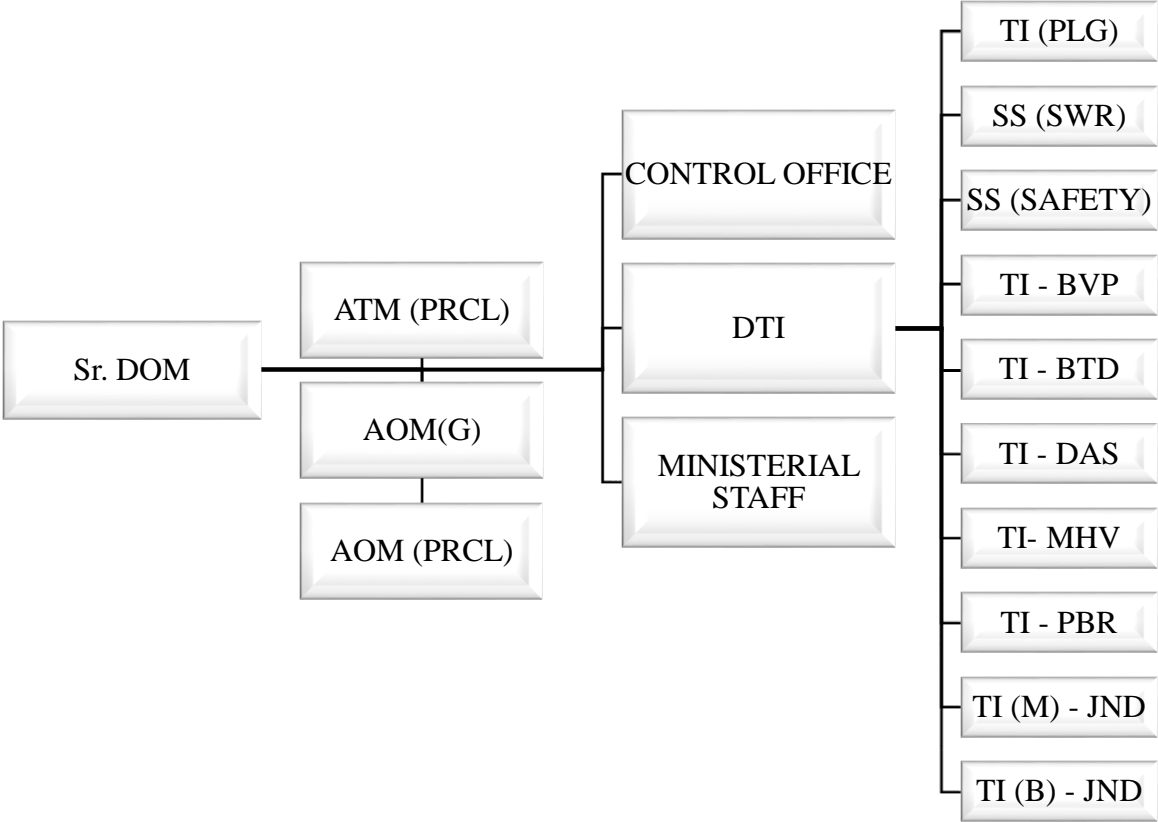


OPERATING

ORGANISATION STRUCTURE



HIGHLIGHTS

- Division has loaded 150637 Nos. of wagon in the financial year 2015-16 at an average of 411.6 wagons / day.
- Division has loaded 6.15 MMT in financial year 2015-16.
- Division has loaded 715 Double stack containers in financial year 2015-16.
- Division has run 107 Python rakes in financial year 2015-16.
- Two additional loop lines commissioned at KDI and LTD stations in the month of June and August 2015.
- 2222 Nos. of extra coaches attached to clear rush and Mela traffic.
- Division has achieved 938.98 Crores originating Goods earning.

1. CONTROL OFFICE ORGANISATION

1.1 Control office has the following boards:

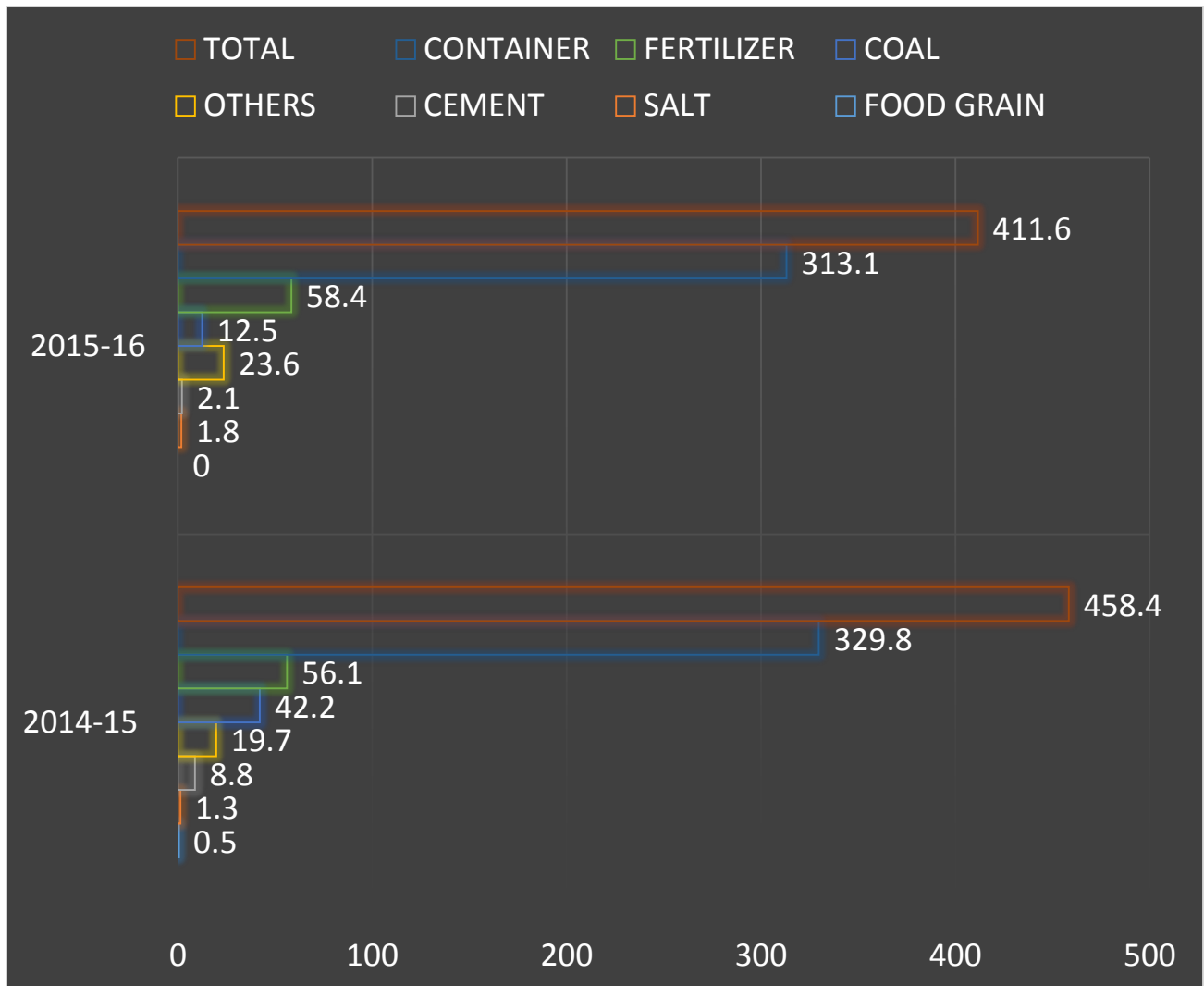
- i. DLJ – PPSP (BG)
BTD – SBI (MG)
- ii. BVC –BTD – SUNR (BG)
- iii. VRL – RJT (BG)
VRL – KODR (MG)
- iv. PBR – KNLS (BG)
JLR – WSJ (BG) & DAS – JLR (MG)

2.2 Non-controlled section: TAV – PCC – DVA, KJV – TAV & JND – VSW

2. COMMODITY WISE ORIGINATING LOADING

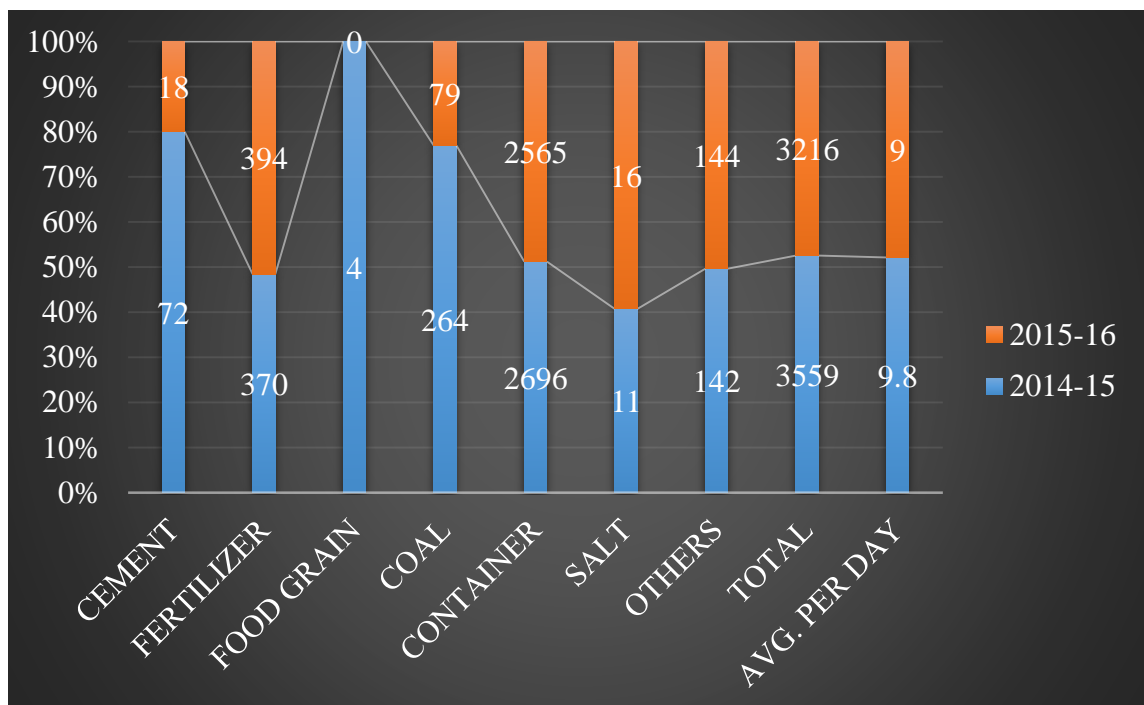
a. LOADING IN 8 WHEELERS (WAGONS / DAY)

Sr. No.	Commodity		
		2014-15	2015-16
1.	CEMENT	8.8	2.1
2.	FERTILIZER	56.1	58.4
3.	FOOD GRAIN	0.5	0.0
4.	COAL	42.2	12.5
5.	CONTAINER	329.8	313.1
6.	SALT	1.3	1.8
7.	OTHERS	19.7	23.6
	TOTAL	458.4	411.6



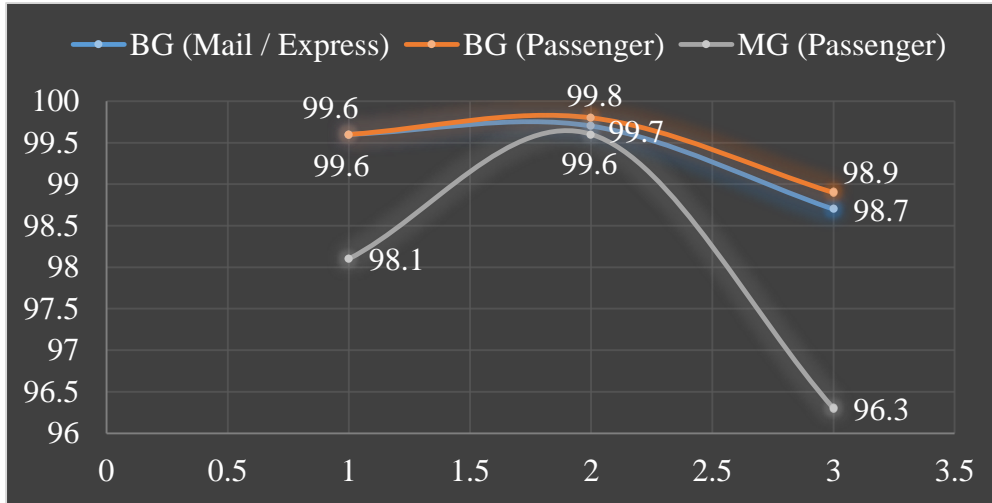
b. LOADING (IN RAKES / DAY)

COMMODITY	2014-15	2015-16
CEMENT	72	18
FERTILIZER	370	394
FOOD GRAIN	04	00
COAL	264	79
CONTAINER	2696	2565
SALT	11	16
OTHERS	142	144
TOTAL	3559	3216
AVG. PER DAY	9.8	9.0



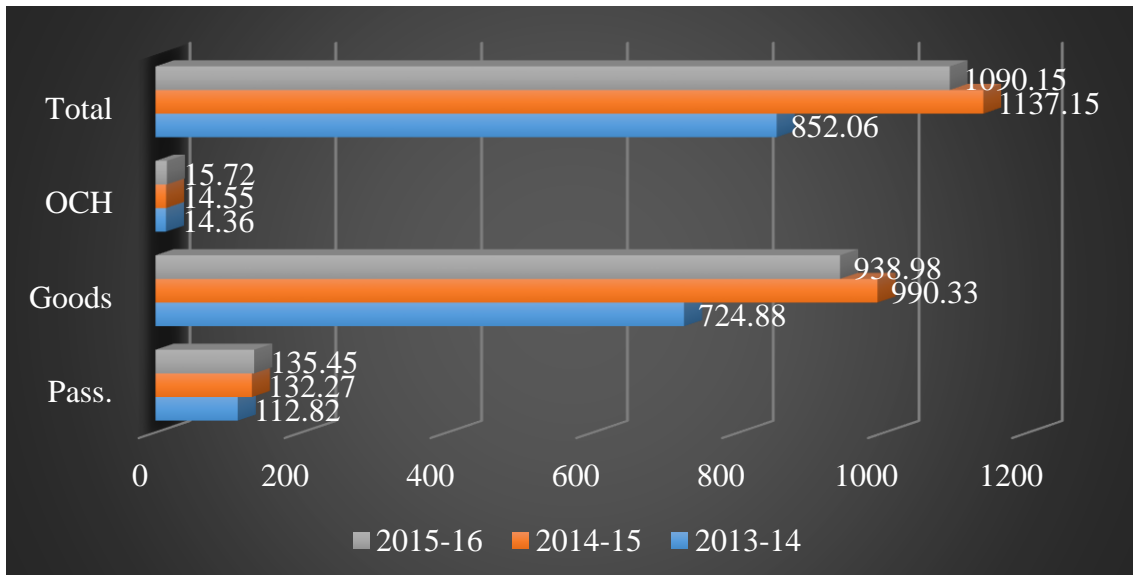
3. PUNCTUALITY PERFORMANCE

	2013-14	2014-15	2015-16
BG (Mail / Express)	99.6	99.7	98.7
BG (Passenger)	99.6	99.8	98.9
MG (Passenger)	98.1	99.6	96.3



4. DIVISIONAL EARNING (Figures in Crores)

Year	Pass.	Goods	OCH	Total
2013-14	112.82	724.88	14.36	852.06
2014-15	132.27	990.33	14.55	1137.15
2015-16	135.45	938.98	15.72	1090.15

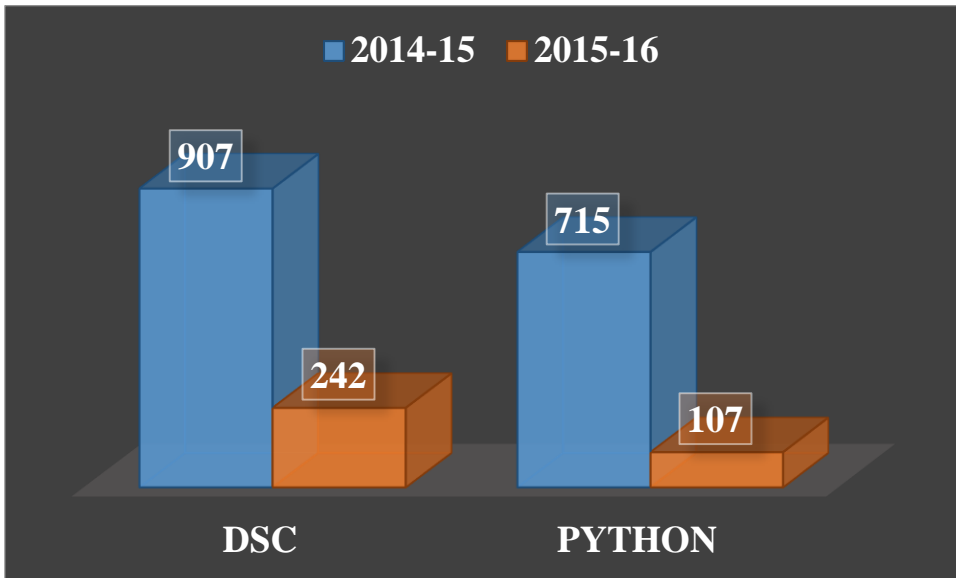


5. DIVISIONAL OPERATING INDICES

Sr. No.	Description	2013-14	2014-15	2015-16
1.	Speed of Goods Trains	25.48	21.73	22.36
2.	Loco Outage	9.41	11.25	10.25
3.	Diesel Utilization	611.9	534.17	524.63
4.	Wagon Holding	661.5	758.1	758.59
5.	Wagon Turn Round	0.9	0.9	1.1
6.	Wagon KMs/Wagon Day	394.0	344.0	316.0
7.	Average Wagons / Day			
	Sent	459.8	482.44	436.73
8.	Received	460.0	484.31	435.34
	Average PU / Day			
	Received	304.1	339.47	283.4
	Released	297.4	330.77	278.2
	%	97.79	97%	98.16%
9.	NTKMs / Wagon-day	11606	13279	10134

6. DOUBLE STACK CONTAINER / PYTHON RAKE MOVEMENT

YEAR	DSC	PYTHON
2014-15	907	715
2015-16	242	107



DETAILS OF TRAINS RUNNING OVER BVP DIVISION

1. PBR-KNLS section (Mail / Express)

Sr. No.	Train No.	Section	Frequency
1.	19215/19216	PBR-BCT-PBR	Daily
2.	19261/19262	PBR-KCVL-PBR	Weekly (Tue/Thu)
3.	19571/19572	PBR-RJT-PBR	Daily
4.	19264/19263	PBR-DEE-PBR	Bi-Weekly(Tue/Fri-Tue/Sat)
5.	19270/19269	PBR-MFP-PBR	Bi-Weekly(Tue/Wed-Thu/Fri)
6.	12906/12905	PBR-HWH-PBR	Tri-Weekly(Sun/Mon/Thu-Sun/Wed/Thu)
7.	12950/12949	PBR-SRC-PBR	Weekly(Tue/Fri)
8.	19201/19202	PBR-SC-PBR	Weekly(Thu/Mon)

(Passenger)

Sr. No.	Train No.	Section	Frequency
1.	59213/59214	PBR-BNVD-PBR	Daily
2.	59206/59205	PBR-RJT-PBR	Daily
3.	59211/59212	PBR-RJT-PBR	Daily
4.	59298/59297	PBR-SMNH-PBR	Daily
5.	59216/59215	PBR-BNVD-PBR	Daily

2. SUNR-BTD-SUNR section (Mail express)

Sr. No.	Train No.	Section	Frequency
1.	12971/12972	BVC-BDTS-BVC	Daily
2.	12941/12942	BVC-ASN-BVC	Weekly(Sat/Tue)
3.	19259/19260	BVC-KCVL-BVC	Weekly(Sat/Sun)
4.	12945/12946	MHV-ST-MHV	Weekly(Wed/Wed)
5.	17203/17204	BVC-CCT-BVC	Weekly(Fri/Sat)
6.	19203/19204	BVC-BDTS-BVC	Weekly(Tue/Sun)

(Passenger)

Sr. No.	Train No.	Section	Frequency
1.	59207/59208	BVC-OKHA-BVC	Daily
2.	59229/59230	BVC-DHG-BVC	Daily
3.	59233/59234	BVC-SUNR-BVC	Daily
4.	59271/59272	BVC-SUNR-BVC	Daily
5.	59203/59204	BVC-SUNR-BVC	Daily
6.	59231/59232	BVC-BTD-BVC	Daily

3. BTD-BVC-BTD section (Mail/Express)

Sr. No.	Train No.	Section	Frequency
1.	12971/12972	BVC-BDTS-BVC	Daily
2.	12941/12942	BVC-ASN-BVC	Weekly(Sat/Tue)
3.	19259/19260	BVC-KCVL-BVC	Weekly(Sat/Sun)
4.	12945/12946	MHV-ST-MHV	Weekly(Wed/Wed)
5.	17203/17204	BVC-CCT-BVC	Weekly(Fri/Sat)
6.	19203/19204	BVC-BDTS-BVC	Weekly(Tue/Sun)

(Passenger)

Sr. No.	Train No.	Section	Frequency
1.	59207/59208	BVC-OKHA-BVC	Daily
2.	59229/59230	BVC-DHG-BVC	Daily
3.	59233/59234	BVC-SUNR-BVC	Daily
4.	59271/59272	BVC-SUNR-BVC	Daily
5.	59203/59204	BVC-SUNR-BVC	Daily
6.	59231/59232	BVC-BTD-BVC	Daily
7.	59267/59268	BVC-PIT-BVC	Daily
8.	59201/59202	BVC-PIT-BVC	Daily
9.	59226/59225	MHV-BVC-MHV	Daily
10.	59269/59270	BVC-PIT-BVC	Daily
11.	59227/59228	BVC-BTD-BVC	Daily

4. RJT-JND-RJT section (Mail/Express)

Sr. No.	Train No.	Section	Frequency
1.	19251/19252	SMNH-OKO-SMNH	Daily
2.	19221/19222	VRL-ADI-VRL	Daily
3.	19571/19572	PBR-RJT-PBR	Daily
4.	16333/16334	VRL-TVC-VRL	Weekly(Wed/Thu)
5.	11087/11088	VRL-Pune-VRL	Weekly(Fri/Sat)
6.	11463/11464	VRL-JBP-VRL	Daily
7.	11465/11466	VRL-JBP-VRL	Daily
8.	19119/19120	SMNH-ADI-SMNH	Daily
9.	12949/12950	PBR-SRC-PBR	Weekly(Tue/Fri)

(Passenger)

Sr. No.	Train No.	Section	Frequency
1.	59507/59508	SMNH-RJT-SMNH	Daily
2.	59297/59298	PBR-SMNH-PBR	Daily
3.	59421/59422	VRL-RJT-VRL	Daily
4.	59459/59460	VRL-RJT-VRL	Daily
5.	59423/59424	VRL-RJT-VRL	Daily

5. **DLJ-MHV section (Mail/Express)**

Sr. No.	Train No.	Section	Frequency
1.	12945/12946	MHV-ST-MHV	Weekly(Wed/Wed)

(Passenger)

Sr. No.	Train No.	Section	Frequency
1.	59235/59236	DLJ-MHV-DLJ	Daily
2.	59225/59226	BVC-MHV-BVC	Daily
3.	59243/59244	RJU-MHV-RJU	Daily

6. **SOJN-PIT section (Mail/Express)**

Sr. No.	Train No.	Section	Frequency
1.	22935/22936	BDTS-PIT-BDTS	Weekly (Thu.)

7. **PIT-BVC section (Passenger)**

Sr. No.	Train No.	Section	Frequency
1.	59267/59268	BVC-PIT-BVC	Daily
2.	59201/59202	BVC-PIT-BVC	Daily
3.	59295/59296	BVC-PIT-BVC	Daily
4.	59269/59270	BVC-PIT-BVC	Daily

8. **RLA-RJU section (Passenger)**

Sr. No.	Train No.	Section	Frequency
1.	59243/59244	RJU-MHV-RJU	Daily

9. **JLR-RJT section (Mail/Express)**

Sr. No.	Train No.	Section	Frequency
1.	19571/19572	PBR-RJT-PBR	Daily
2.	12949/12950	PBR-SRC-PBR	Weekly(Tue/Fri)

(Passenger)

Sr. No.	Train No.	Section	Frequency
1.	59297/59297	VRL-PBR-VRL	Daily

10. **ADI-DOK-ADI (MG) section (Passenger)**

Sr. No.	Train No.	Section	Frequency
1.	52939/52938	BTD-ADI-BTD	Daily
2.	52941/52940	BTD-ADI-BTD	Daily
3.	52935/52934	BTD-ADI-BTD	Daily
4.	52943/52944	BTD-ADI-BTD	Daily
5.	52945/52942	BTD-ADI-BTD	Daily

11. JLR-DAS (MG) section (Passenger)

Sr. No.	Train No.	Section	Frequency
1.	52948/52947	DAS-JLR-DAS	Daily
2.	52946/52933	DAS-VRL-DAS	Daily
3.	52930/52929	DAS-VRL-DAS	Daily
4.	52932/52931	DAS-JLR-DAS	Daily

12. KJV-VRL (MG) section (Passenger)

Sr. No.	Train No.	Section	Frequency
1.	52955/52956	KJV-JND-KJV	Daily
2.	52952/52951	JND-DVA-JND	Daily
3.	52950/52949	VRL-DVA-VRL	Daily
4.	52946/52933	DAS-VRL-DAS	Daily
5.	52930/52929	DAS-VRL-DAS	Daily
6.	52931/52954	DAS-VRL-DAS	Daily

13. DVA-PCC (MG) section (Passenger)

Sr. No.	Train No.	Section	Frequency
1.	52950/52949	DVA-VRL-DVA	Daily
2.	52951/52952	DVA-JND-DVA	Daily
3.	52953/52954	KODR-VRL-KODR	Daily

14. JND-VSW (MG) section (Passenger)

Sr. No.	Train No.	Section	Frequency
1.	52952/52951	DVA-JND-DVA	Daily
2.	52956/52955	JND-KJV-JND	Daily

15. PCC-KODR (MG) section (Passenger)

Sr. No.	Train No.	Section	Frequency
1.	52954/52953	VRL-KODR-VRL	Daily